

- Band 12, RF-Tx SAW Filter
- Revision 0: February 2014

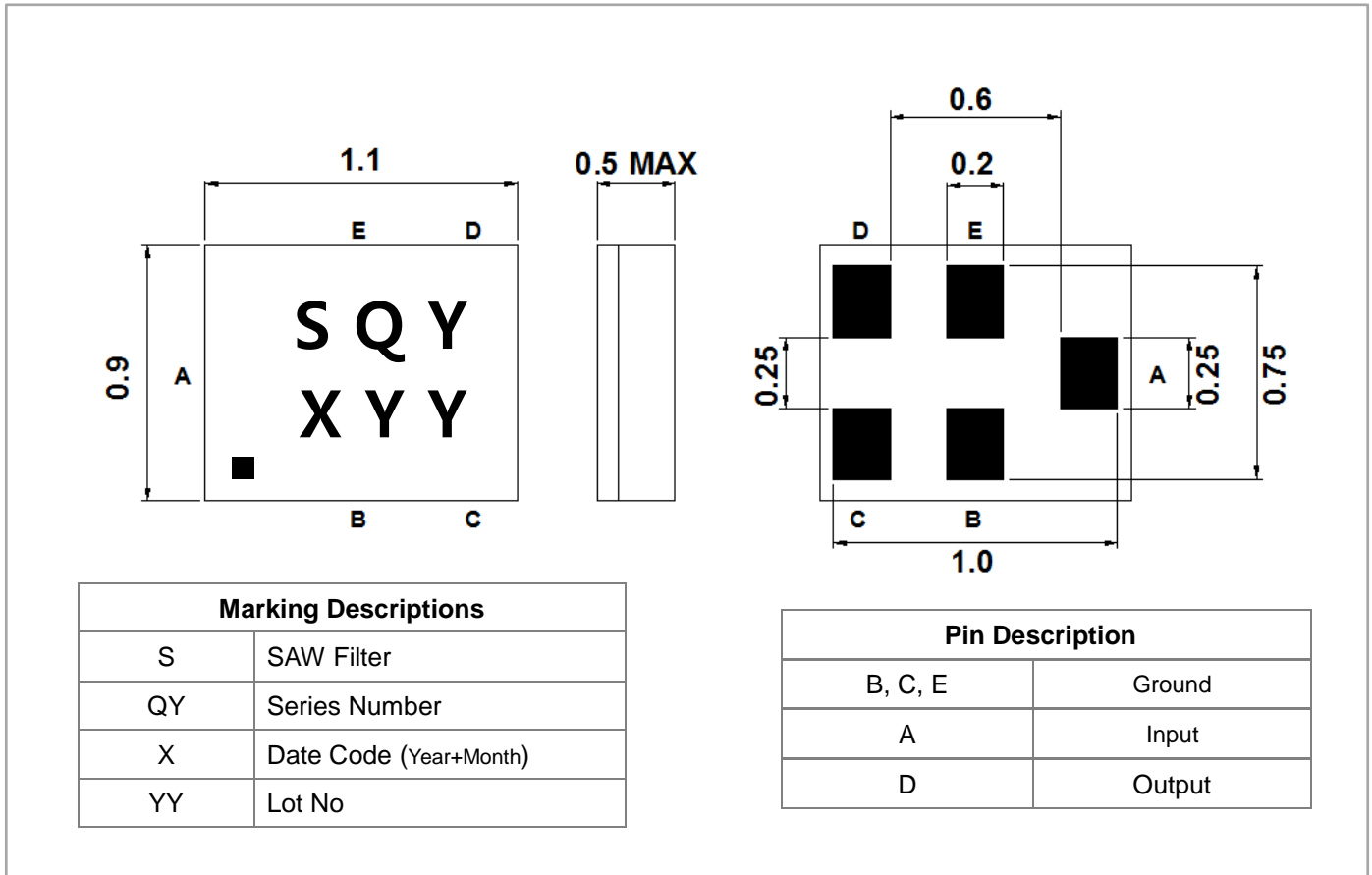
Electrical Characteristics

MAXIMUM RATING				
PARAMETERS DESCRIPTION	UNIT	MINIMUM	TYPICAL	MAXIMUM
Operating Temperature Range	°C	-30	-	+85
Storage Temperature Range	°C	-40	-	+85
Maximum DC Voltage	V	-	-	-
Maximum Input Power	dBm	-	-	15
Source Impedance (single ended) ⁽¹⁾	Ω	-	50	-
Load Impedance (Single ended) ⁽¹⁾	Ω	-	50	-
Package type & size	C13			
Length x Width	mm ²	-	1.1 x 0.9	-
Height	mm	-	-	0.5

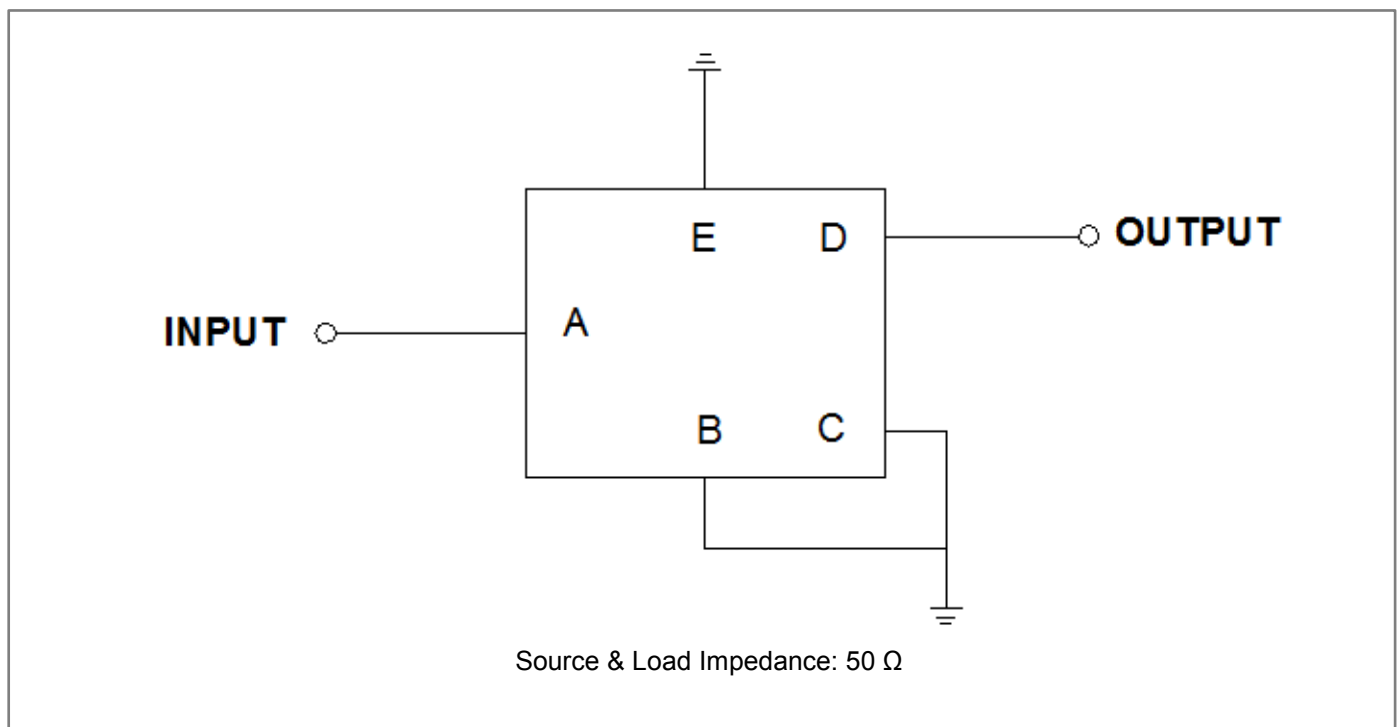
ELECTRICAL SPECIFICATION				
PARAMETERS		MINIMUM	TYPICAL	MAXIMUM
Center Frequency (Fo)	MHz	-	707.5	-
Insertion Loss within 699.0 ~ 716.0 MHz	dB	-	1.6	2.2
Amplitude Ripple within 699.0 ~ 716.0 MHz	dB _{p-p}	-	0.6	1.4
VSWR within 699.0 ~ 716.0 MHz	-	-	1.7	2.0
Attenuation				
1.0 ~ 692.0 MHz	dB	20	37	-
729.0 ~ 746.0 MHz	dB	15	23	-
1386.0 ~ 1442.0 MHz	dB	40	47	-
1574.42 ~ 1576.42 MHz	dB	38	46	-
2084.0 ~ 2158.0 MHz	dB	30	42	-
2782.0 ~ 2874.0 MHz	dB	25	39	-

Notes : (1) No Matching Network .

Package Dimensions

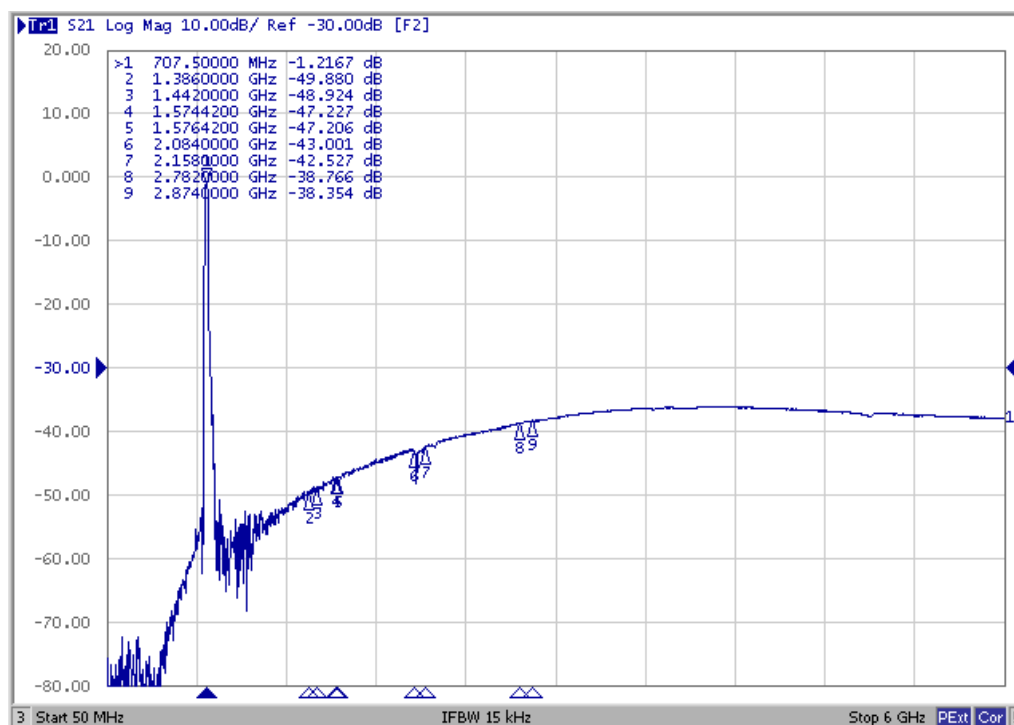
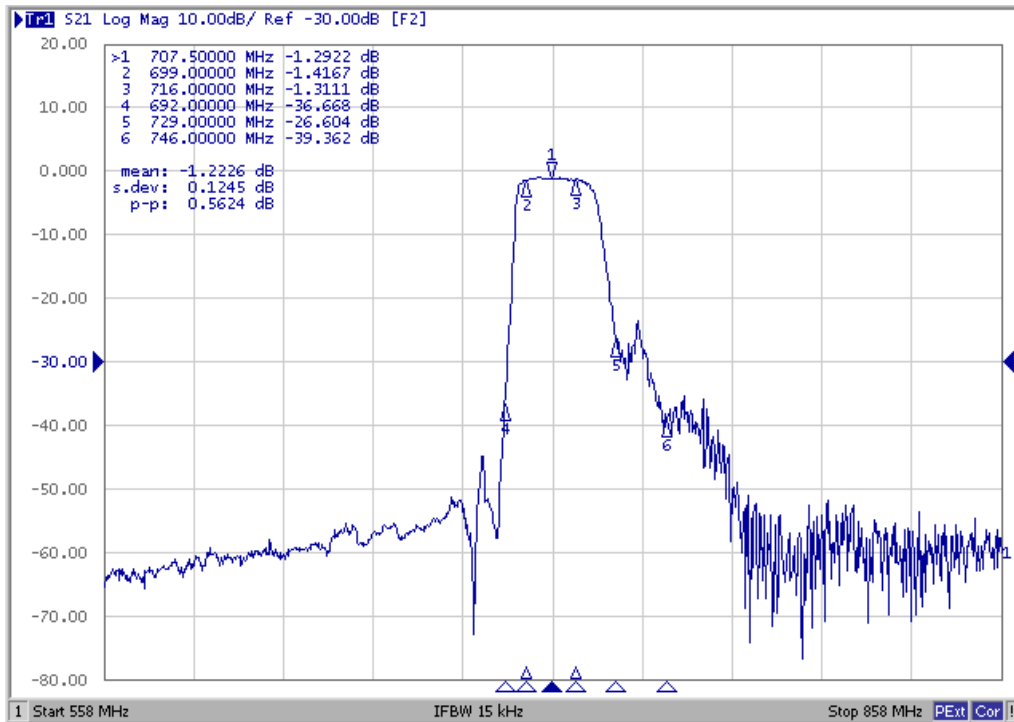


Testing Environment

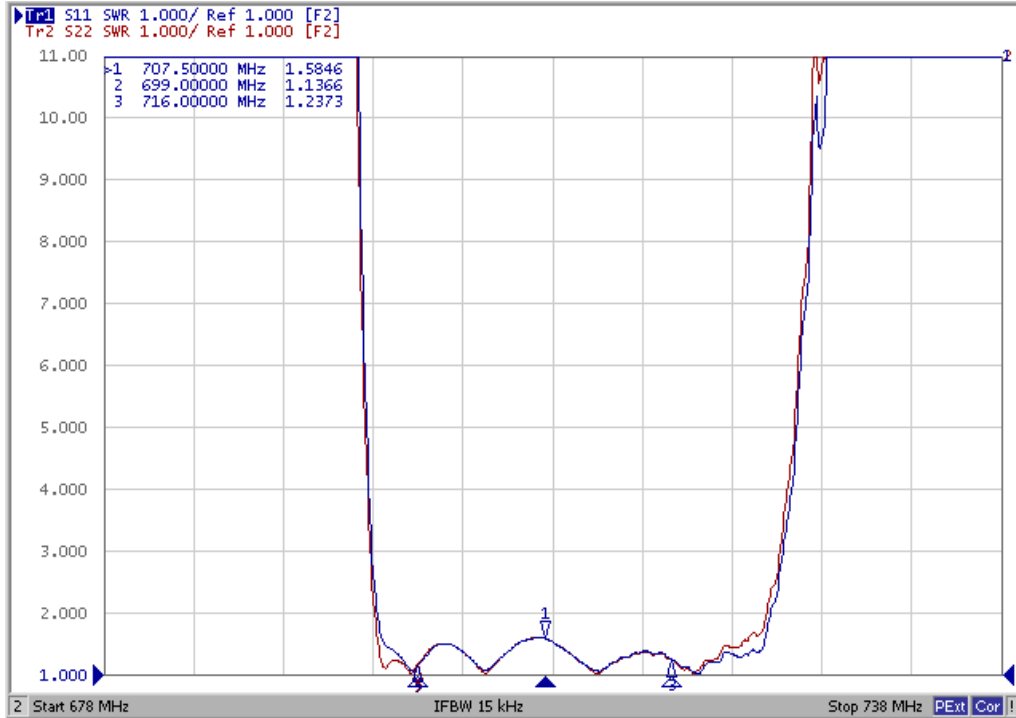


Frequency Characteristics

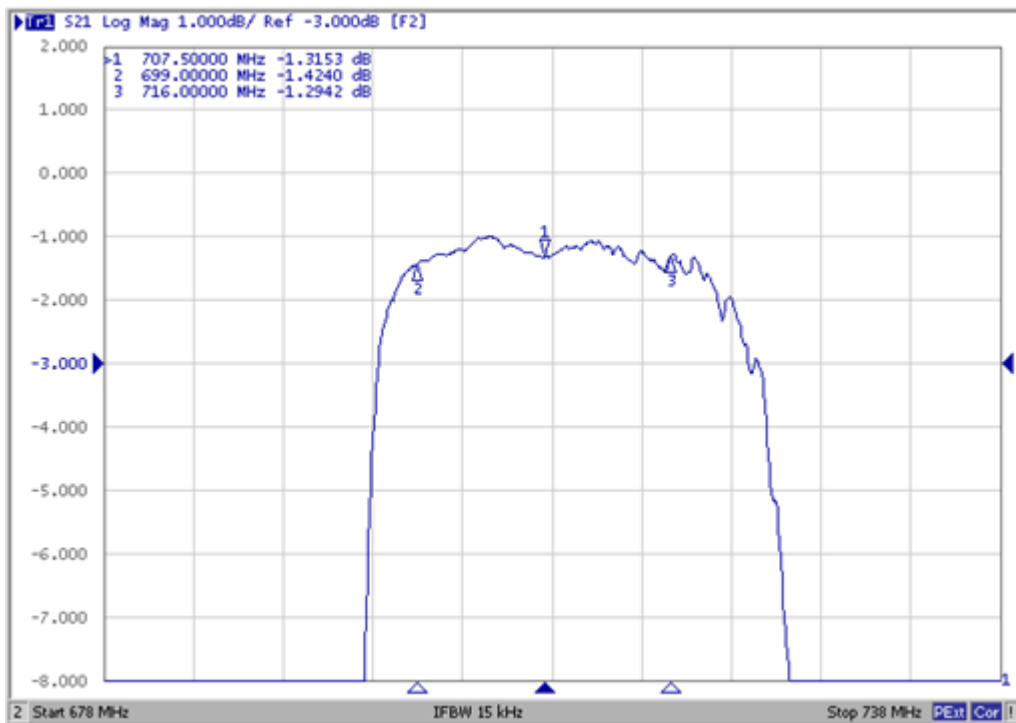
Frequency Response



VSWR



Ripple



Smith Chart

